



The Raisa Pro is a safe and comfortable standing and transfer aid with a motorized lifting arm designed to help patients with some trunk balance and weakened leg muscles to stand up and quickly perform a safe and secure transfer. Its bariatric weight capacity and adjustability make it an ideal option for facilities and hospitals. A narrow overall width makes it easy to store or transport.



Unique Adjustability

The Raisa Pro features adjustable knee supports and a height adjustable footplate that can accommodate any size patient. The motorized legs are easy to spread to allow direct access to wheelchair patients and the rear locking wheels ensure safety. The Raisa Pro is the ideal device for those facilities requiring a low-maintenance, durable sit-to-stand option. The Raisa Pro is used with clip slings.

ensure it is ready to go when needed. Lifting is smooth, comfortable and quick. Adjustment can be performed with either the handset or the control panel on the unit. In emergency situations, the lowering function can either be operated electronically or manually.

Quality

Our products are designed and manufactured to meet all the requirements of relevant ISO, UL, IEC and EN standards. At every stage of the development process, every single product is given extensive attention in design, development and manufacturing. This means that a user of this product feels confident with its reliability and the caregiver feels confident with its safety.



Smooth Operation

With its narrow overall width, the Raisa Pro is ideal for smaller spaces, yet it holds a maximum weight of up to 275kg / 606lb. It comes complete with a removable 24V battery pack and wall charging device to

HUMAN CARE SWEDEN (HQ)

Årstaängsvägen 21B
117 43 Stockholm
Phone:- +46 8 665 35 00
Fax:- +46 8 665 35 10
info.se@humancaregroup.com

HUMAN CARE AUSTRALIA

Unit 4, 49 Bertie Street
Port Melbourne, VIC 3207
Phone : +61 1300 132 736
Fax : + 61 (03) 9645 4954
info.au@humancaregroup.com

HUMAN CARE CANADA

10-155 Colonnade Road
Ottawa, ON K2E 7K1
Phone: +613.723.6734
Fax: +613.723.1058
info.ca@humancaregroup.com

HUMAN CARE NEDERLAND

Elspeterweg 124
8076 PA Vierhouten
Phone: +31 577 412 171
Fax: +31 577 412 170
info.nl@humancaregroup.com

HUMAN CARE UNITED STATES

8006 Cameron Road, Suite K
Austin, TX 78754
Phone: +512.476.7199
Fax: +512.476.7190
info.us@humancaregroup.com

Accessories



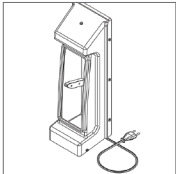
Slings

Assorted models with clips to accommodate most lifting requirements.



Battery Pack

Removable. Included with floor lift. IBS technology. Replacement Part no. R103-1014



Wall Charger

Included with floor lift (blue). European or North American use. Replacement Part no. R103-1010



Hand Control

Six functions. Included with floor lift. Replacement Part no. R500-482

Lifting Situations



Use to/from a bed

Use to raise/lower a patient from/to a bed.



Use to/from a chair

Use to raise/lower a patient from/to a chair.



Use to/from the toilet

Use to raise/lower a patient from/to a toilet.

Features



Control Panel

Knee support, mast height (raise/lower) and leg adjustments. Battery low LED indicator.



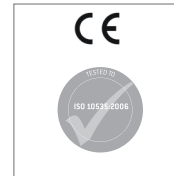
Motorized Adjustment

Height adjustable footplate and motorized legs for direct access to wheelchair patients.



Padded Knee Supports

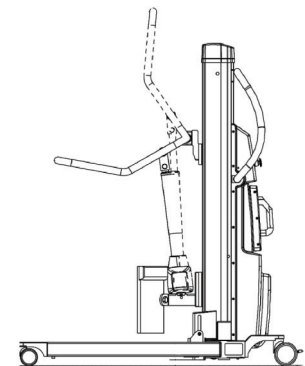
Padded knee supports ensure comfort. Straps secure patient while raising/lowering.



Tested to all relevant standards, including ISO 10535, hoists for the transfer of disabled persons.

Technical Specifications

Raisa Pro			
Part No.	92502	Arm Adjustment ²	92cm - 191.8cm / 36.2" - 75.5"
Width	67cm - 133.3cm / 26.4" - 52.5"	Turning Radius	130cm / 51.2"
Length	123.9cm / 48.8"	Lowering Speed	1.8cm/sec 0.7"/sec
Height	Arm Lowered: 142.7cm / 56.2" Arm Raised ¹ : 193.3cm / 76.1"	Battery	IBS power pack, 24V/2.9Ah Replacement Part no. R103-1014
Height from Floor	13.2cm / 5.2"	Front Wheels	10cm/4" / Optional 7.4cm/3"
		Rear Wheels (with brake)	12.5cm/5" / Optional 10cm/4"
Adjustable Leg (Min - Max)	Inside: 55.5cm - 116cm / 21.8" - 45.7" Outside: 65.5cm - 126cm / 25.8" - 49.6"	Emergency Lowering	Manual and electric
Adjustable Knee Support (Min - Max)	45cm - 81cm / 17.7" - 31.9"	Weight	80kg / 176.4lb
Sound Level	< 44 db	Weight Capacity	275kg / 606lb



¹ Measurement based on arm mast at highest setting

² From clip attachment point

This product is manufactured in accordance with all relevant ISO standards.



Learn More About This Product



Follow Us on Social Media



facebook.com/humancareusa



instagram.com/humancaregroup



linkedin.com/company/humancareusa



pinterest.com/humancaregroup



youtube.com/channel/UC7fyjNH3zTjRxOP1DFr2Da0